



128MB Datalogger for serial Dataports OC 7053 FC

- ✓ 6 digit Display 0 ... ± 999999
- ✓ Inputs RS232, RS422, RS485
- ✓ Addressable Bus Communication
- ✓ 128MB CompactFlash™
- ✓ Set Point Relay
- ✓ 115/230VAC or 9-36VDC
- ✓ RTC - Real Time Clock



OC7053 FC is a 6 digit programmable Datalogger for connection to serial data ports RS232, RS422 and RS485.

The data port format contains 8 data bit without parity, 1 start and 1 stop, 1200 to 38400 bd. The RS422 and RS485 ports have programmable addresses 01 to 31.

The incoming data from the serial data port are stored in a 128MB CompactFlash™ Card. In addition to the input data also the date of the day and the real time are stored which are derived from the internal RTC. The data content in the CompactFlash™ Card can be read in a PC under Windows.

One Set Point Relay with a programmable hystereze permits control applications. The

set point can be selected within the entire display range.

The parameters are selectable with the keyboard at the front and remain stored in the microcontroller also when the instrument is switched-off from the power. The keyboard can be locked against unauthorized entry.

SPECIFICATIONS

Input

RS232, RS422, RS485, with 8 bit, No Parity, 1 Start, 1 Stop. The RS485 Data Port has selectable addresses from 01 to 31.

Baud rate

1200 to 34800 bd selectable.

Display

6 digits, red, 7 segment LED, 14.7mm with decimal points.

Excitation

External sensors can be powered from adjustable excitation which can be adjusted between 2V and 24V.

Set Point SP1

Selectable from 0 to ±999999, hystereze 0...±999999. The output is an NPN open collector 60V/100mA.

Option

Relay 5A-230VAC.

Supply

115/230V ±10%, 48-60Hz, 6VA.
Option: 9 - 36V DC/3W.

Cabinet

DIN 48x96x150mm (HxWxD).
Panel cut-out is 45x90 mm.

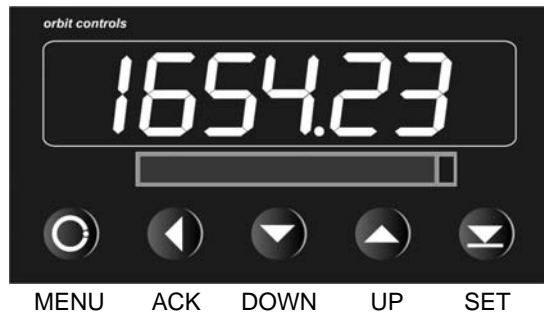
Terminals

Pluggable screw terminals at the instruments rear.

STORED FORMAT

Time	Date	Input Data
16:46:02	10.09.03	683981
16:46:07	10.09.03	363021
16:46:12	10.09.03	834967
16:46:17	10.09.03	292217
16:46:22	10.09.03	700647
16:46:27	10.09.03	383844
16:46:32	10.09.03	618210
16:46:37	10.09.03	658419
16:46:42	10.09.03	850008

KEYBOARD



MENU and PARAMETR SETTINGS

The key **MENU** opens the instruments menu. The required parameter is confirmed with **ACK**.

The parameter value can be set with **UP** or **DOWN**.

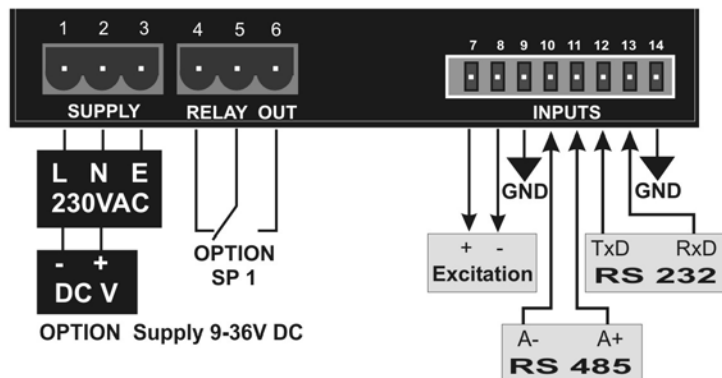
The flashing digit - Cursor - is positioned with **ACK**. The sign and the decimal point can be set when the cursor is moved out of the display range (no cursor flashing). The decimal point is selected with **UP**, the sign is selected with **DOWN**.

The key **SET** closes the programming mode and starts the measuring mode.

MENU STEPS

Key	Display	Function
MENU	SP 1	Set Point - Relay
MENU	HSt 1	Hystereze of the SP 1
MENU	SAVE	Storing OFF or On
MENU	bAUd	Baud Rate of the data port
MENU	rS Adr	Address of the data port. Address 0=RS232, Address 01-31=RS485
MENU	tinE	Clock Setting: DOWN : HH UP : MM SET : SS
MENU	dAtE	Date setting: DOWN : Days UP : Month SET : Years
MENU	XXXXXX	Measuring Mode

TERMINALS - Instruments Rear



DATA STORING

Start of the Data Storing

Insert the CompactFlash™ Card into the instruments slot at the front. Set **On** in the menu step SAVE and switch into the measuring mode. Press the key SET. The display shows **CF run** followed by **CrEAtE**. The data file is created and the CompactFlash is enabled. The incoming data from the bus are stored.

End of the Data Storing

Press the key SET. The display shows **CF CLO** followed by **CF StP**. The storing of the data from the bus is stopped. Select **OFF** in the menu step SAVE. Take out the CompactFlash™ Card.